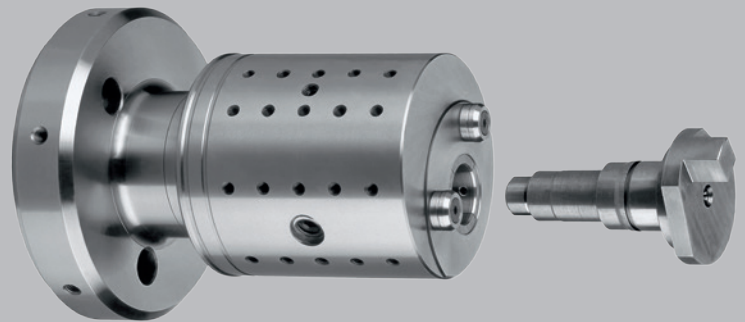


myTEC[®]

HYDRACLAMP[®]

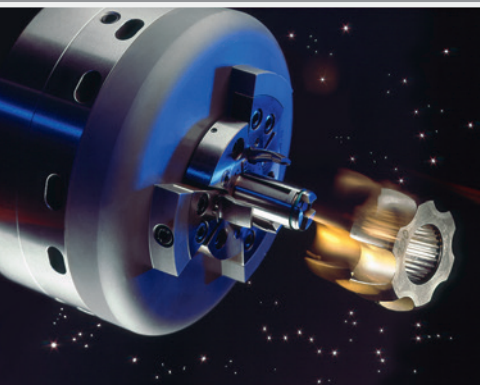
MECHANICAL and HYDRA-MECHANICAL
> CLAMPING TOOLS <



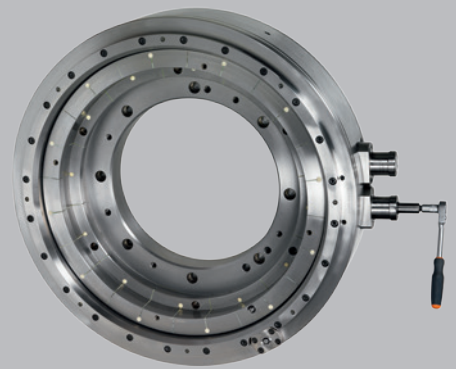
- NEW -
> PERMAN-SYSTEM[®] <

WORKHOLDING

- NEW - > PERMAN-SYSTEM ® <



About Mytec Workholding



Mytec -Hydraclamp- has been dedicated to development and manufacture of high-precision clamping tools for workpiece and tool clamping since the company was founded.

Particularly mechanical and Hydra-mechanical clamping technology.

Mytec -Hydraclamp- has been known for decades in the main sectors of the tool construction, metalworking and machine building industries.

Our corporate goal is to achieve a high level of customer satisfaction through leading technical solutions and unlimited application orientation.

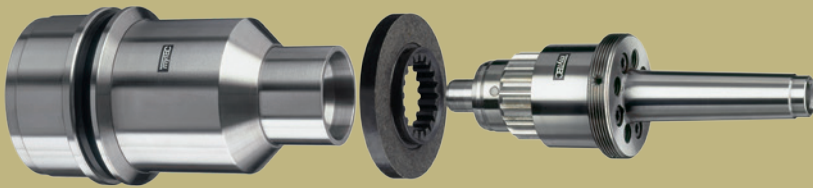
Constant innovation is an important success factor in this process.

Clamping tools from Mytec -Hydraclamp- are in use at well-known companies, particularly in the automotive and aircraft industry, including suppliers, machine tool and machinery building, pump manufacturers, and the electronics industry.

high



**precision
clamping**



Corporate

Mytec -Hydraclamp- is an innovative partner of the precision industry, with the core task of satisfying today's increasing quality requirements through development and manufacturing of highly precise clamping tools for turning, hobbing, grinding, measuring and testing, and to contribute to our customer's increased competitive ability.

Talk with our engineering department when high-precision workpiece and tool clamping are involved.

HYDRA-MECHANICAL-EXPANDING-ARBOR
clamping dia. 72 mm

WORKPIECE:
Gear wheel

OPERATION:

- Grinding the external tothing
- Milling the external tothing

DESCRIPTION:

- Direct operating
(hydraulic system machine)
- Runout accuracy < 0.005 mm
- High loading clearances
- Part present control (air sensing)
- Modular design, collet interchangeable
- Collet vulcanized, with hard coating



MECHANICAL >EXPANDING< CLAMPING TOOLS

- NEW -
> PERMAN-SYSTEM[®] <



WORKPIECE: Cam lobe



MECHANICAL-EXPANDING-ARBOR

clamp. dia. 24 mm

DESCRIPTION:

- Powered by a stack up of springs (integrated)
- Runout accuracy < 0.005 mm
- High loading clearances (automatic loading)
- Modular design, collet interchangeable
- Collet vulcanized, with hard coating

OPERATION:

- Grinding the external contour between centers



WORKPIECE: Ring gear



MECHANICAL-EXPANDING-ARBOR

clamp. dia. 70 mm

DESCRIPTION:

- Power operated (drawbar)
- Runout accuracy < 0.005 mm
- High loading clearances
- Modular design, collet interchangeable
- Collet vulcanized, with hard coating

OPERATION:

- Milling the external toothing



MECHANICAL-FLANGED-CHUCK clamp. dia. 185 mm

DESCRIPTION:

- Power operated (drawbar)
- High loading clearances
- 0.01 mm clamping repeatability
- Retractable workpiece stop
- Modular design, collet interchangeable

WORKPIECE: Disc carrier



OPERATION:

- Turning the internal contour

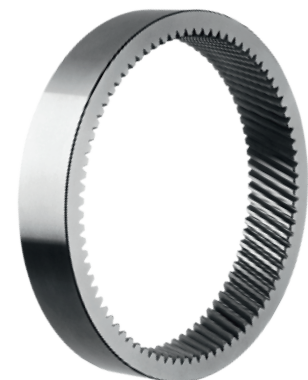


HYDRA-MECHANICAL-EXPANDING-ARBOR clamp. dia. 120 mm

DESCRIPTION:

- Direct operating (hydraulic system machine)
- 0.005 mm clamping repeatability
- Part present control (air sensing)
- Conical taper mechanism
- Short clamping length

WORKPIECE: Gear wheel

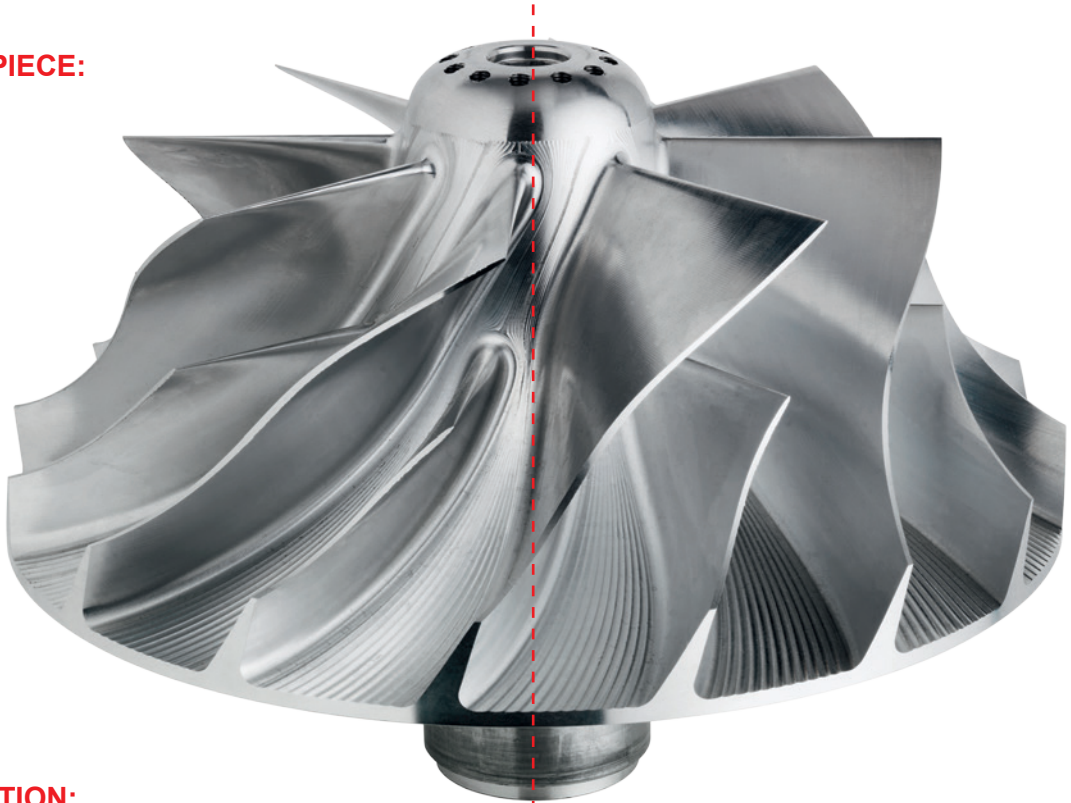


OPERATION:

- Grinding the external contour

HYDRA-MECHANICAL-COLLET-CHUCK clamping dia. 72 mm

WORKPIECE:
Impeller



OPERATION:

- Milling the external contour
- Drilling the front-holes



DESCRIPTION:

- Power operated by the pull rod at the machine
- High loading clearances
- High gripping force
- Pull-back design
- Modular design, collet interchangeable

PRODUCTS

Mechanical expansion arbors
"System Perman"

Mechanical expansion chucks
"System Perman"

Hydraulic expansion arbors
Hydraulic expansion chucks

Hydraulic expansion arbors
Hydraulic expansion chucks
with profiled expansion sleeve

Complete clamping fixtures
including peripheral tooling

Machine spindles with integrated
hydraulic expansion technology

Electronic clamping pressure
control System "Power Control"

MYTEC
Precision Tools GmbH
Max-Braun-Strasse 1
D-97828 Marktheidenfeld - Germany
info@mytec.de

myTEC[®]
HYDRACLAMP[®]

www.mytec.de

**SALES +
SERVICE**



euro • tech
N48 W14170 Hampton Ave.
Menomonee Falls WI 53051-6907
Ph. 262.781.6777
FAX 262.781.2822
www.eurotechcorp.com